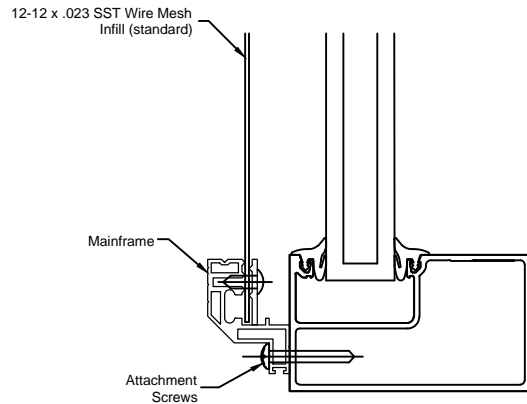
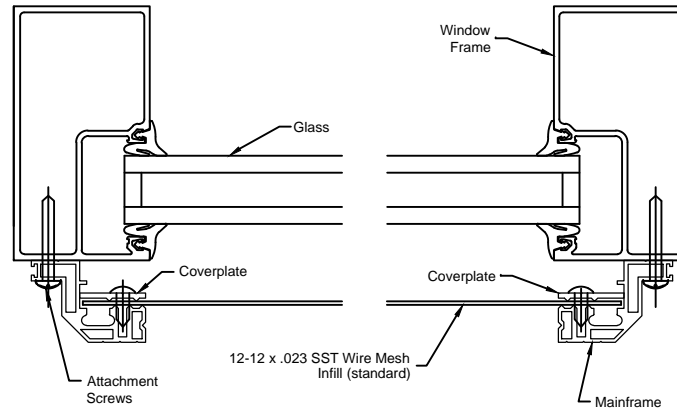
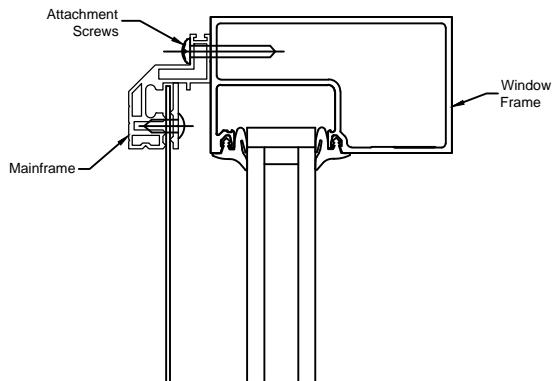


500-A Series Non-Removable/Fixed
Mounted into a screen track

PROPRIETARY AND CONFIDENTIAL
THE INFORMATION CONTAINED IN THIS
DRAWING IS THE SOLE PROPERTY OF
HARMONY PRODUCTS INC. ANY
REPRODUCTION IN PART OR AS A WHOLE
WITHOUT THE WRITTEN PERMISSION OF
<INSERT COMPANY NAME HERE> IS
PROHIBITED.

		HARMONY PRODUCTS INC. 20 CHURCH RD. - EMIGSVILLE, PA 17318 717-767-2779 - FAX - 717-767-2918 website: www.window-shield.com	
JOB NAME:	XXXXXXXXX	DATE:	01/13/12
CLIENT:	ABC COMPANY	DWG. BY:	SAB
PRODUCT:	500-A (NON-REMOVABLE/FIXED)	SHEET NO.:	1 OF 1
		JOB NO.:	XXXXXX



500-A Series Non-Removable/Fixed
Mounted to the face of the window/opening

PROPRIETARY AND CONFIDENTIAL.
THE INFORMATION CONTAINED IN THIS
DRAWING IS THE SOLE PROPERTY OF
HARMONY PRODUCTS INC. ANY
REPRODUCTION IN PART OR AS A WHOLE
WITHOUT THE WRITTEN PERMISSION OF
<INSERT COMPANY NAME HERE> IS
PROHIBITED.

HARMONY
SECURITY PRODUCTS, INC.
Innovative Security Solutions

HARMONY PRODUCTS INC.
20 CHURCH RD. - EMIGSVILLE, PA 17318
717-767-2779 - FAX - 717-767-2918
website: www.window-shield.com

JOB NAME: XXXXXXXX

CLIENT: ABC COMPANY

PRODUCT: 500-A (NON-REMOVABLE/FIXED)

DATE: 01/13/12 DWG. BY: SAB

SHEET NO.: 1 OF 1 JOB NO.: XXXXX