

How to Measure for Security Screen Door

Inspect Your Entryway for Obstructions

Check for any obstructions above and around your entryway that may prevent the outward swing of your new security door, and/or its installation, such as:

- Light fixtures
- Door bell
- Low overhang
- Door handle of your existing entry door
- Trees, bushes, or hanging plants

Determine Type and Readiness of Mounting Surface

Your new security door will require a minimum mounting surface of 1" on the trim above, and on both sides of your entry door. (figure 1.1) Mounting screws must be secured to a stud in the wall. Review diagrams and determine which one most resembles the trim around the entry door to which you will mount your security door.

Building out the mounting area using furring strips may be required to avoid any interference of your handle set.

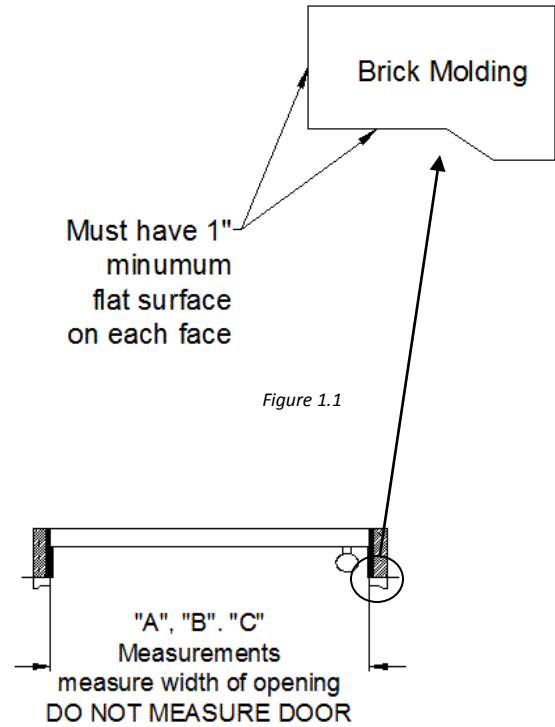


Figure 1.1

Typical Single Entry Door (no side light windows)

Measure width in three separate spots (top, middle, and bottom). Write the numbers in the corresponding space provided. Measure to the closest 1/16th. (see figure 1.2)

- "A" Top = _____
- "B" Middle = _____
- "C" Bottom = _____
- "D" Lockset Height = _____
- "E" Deadbolt Height (if applicable) = _____
- "F" Opening Height = _____

It is important to measure the opening size only and not the actual door.

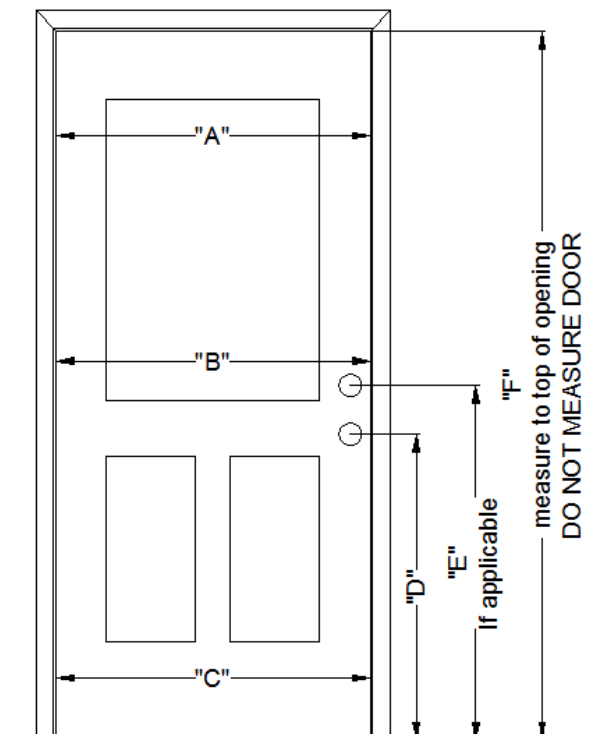
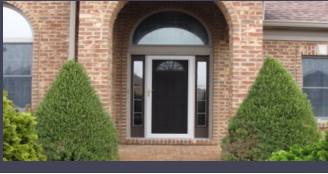


Figure 1.2



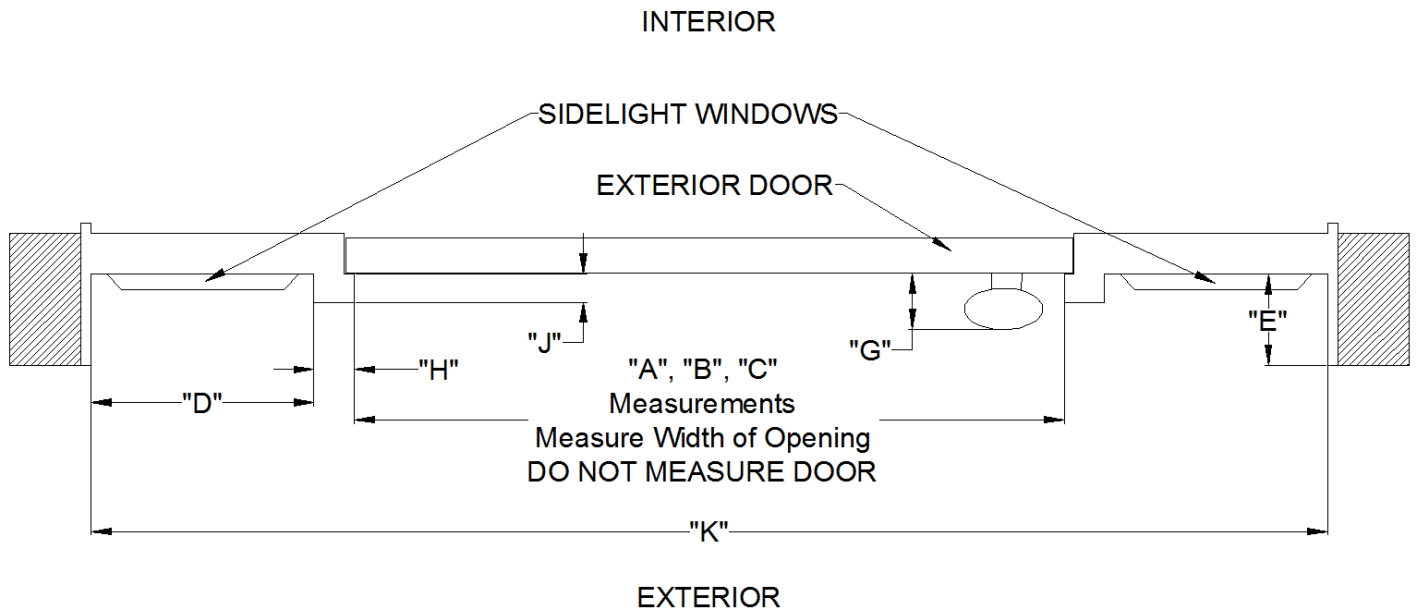
How to Measure for Security Screen Door

Typical Entry Door with double side light windows

Measure width in three separate spots (top, middle, and bottom). Write the numbers in the corresponding space provided. Measure to the closest 1/16th. (see figure 1.2)

- "A" Top = _____
- "B" Middle = _____
- "C" Bottom = _____
- "D" = _____
- "E" = _____
- "F" = _____
- "G" = _____
- "H" = _____
- "J" = _____
- "K" = _____

"F" Refer to figure 1.2 on previous page for height dimension. It is important to measure the opening size and not the actual door.



(figure 2.1)